

MINI DUO XTR200

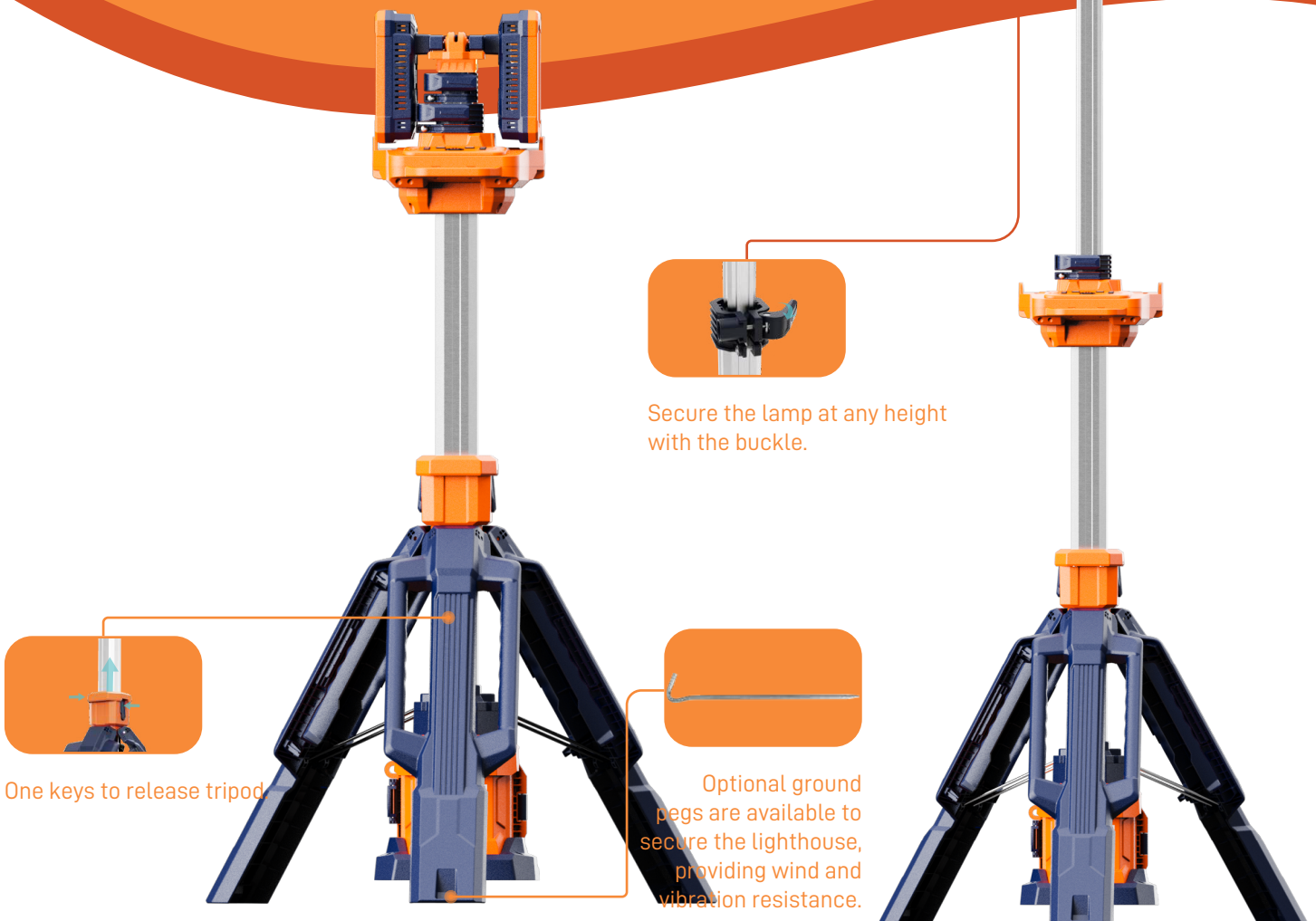
Deployable portable lighting in one
bespoke robust package.

Portable
Light
Tower



LIGHTER, BRIGHTER, FASTER DEPLOYMENT

Unfolding or folding the XTR200 takes just two steps, in under 10 seconds.

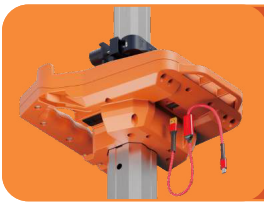
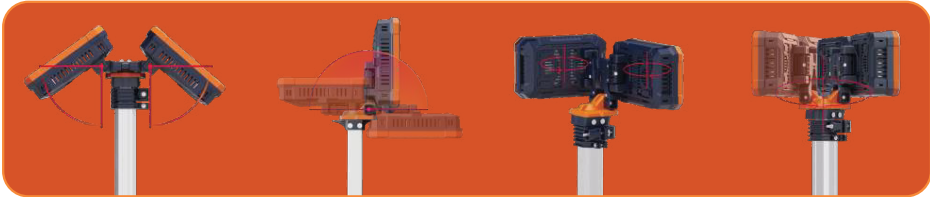
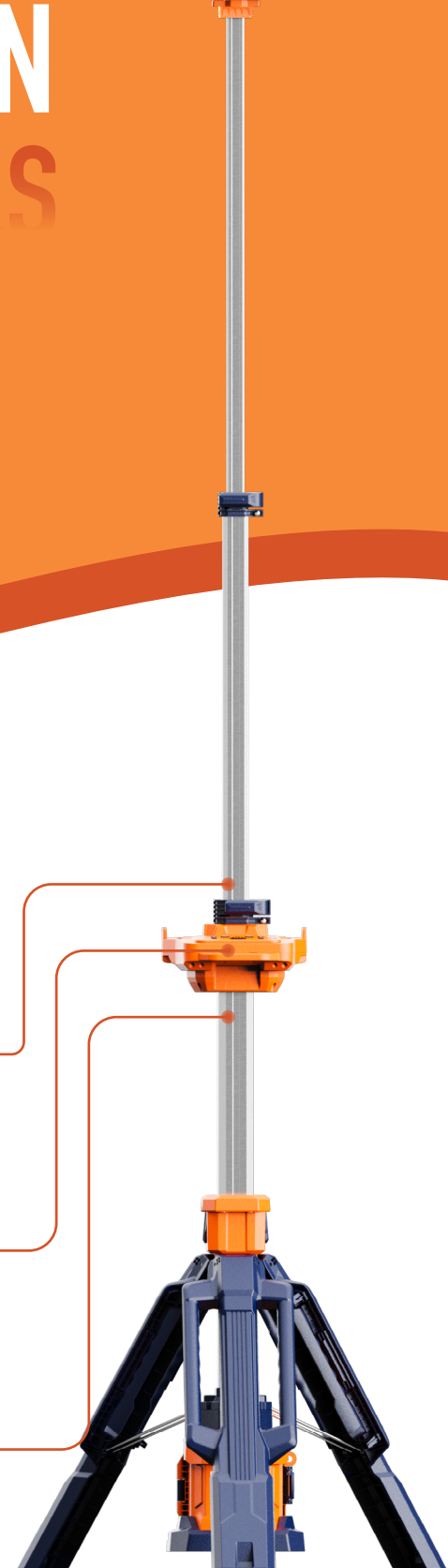


One keys to release tripod

Secure the lamp at any height with the buckle.

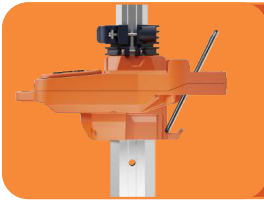
Optional ground pegs are available to secure the lighthouse, providing wind and vibration resistance.

HUMANISED DESIGN HIDDEN IN THE DETAILS



USB Output

Dual rainproof USB outputs for charging two devices at once, rain or shine.



Phone Stand

Continue working while charging, the hook here can serve as a phone stand.



Stepless Dimming

Plug the driver into the rainproof port to unlock maximum brightness and stepless dimming.

ULTRA-LONG ENDURANCE

Standard Mode Up To
8+Hours
(D24-100 &
Dual-head Version)

2 TYPE OF BATTERY PACKS WITH DIFFERENT CAPACITIES
HAVE SAME CONTACT SLOT.



D24-54

Typical working hours 22 hours on
XTR200 Eco mode.



D24-100

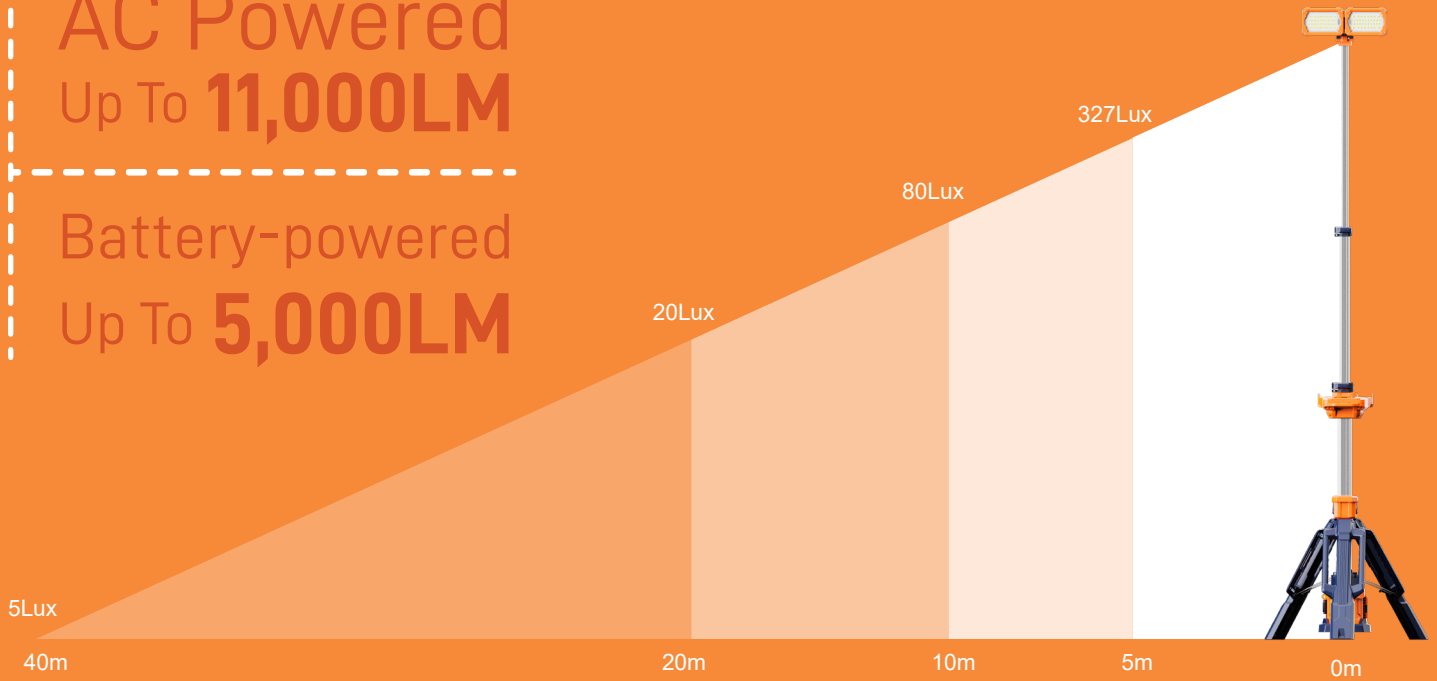
Doubled typical working hours to
45 hours.

Two Options Available
Single Head Or Brighter
Dual-head Version



AC Powered
Up To **11,000LM**

Battery-powered
Up To **5,000LM**



* 'Brightness' represents the center point illuminance value of the lighting direction.

Dual-head

AC	0-11,000LM Stepless Dimmable	
Battery (4 Mode)	Turbo	5,000LM
	Standard	3,000LM
	Balanced	1,800LM
	Eco	500LM

Single Head

Battery (4 Mode)	Turbo	3,000LM
	Standard	2,000LM
	Balanced	1,200LM
	Eco	350LM



Construction



Maintenance



Infrastructure



Mining



Railway



Emergency



Camping



Sport



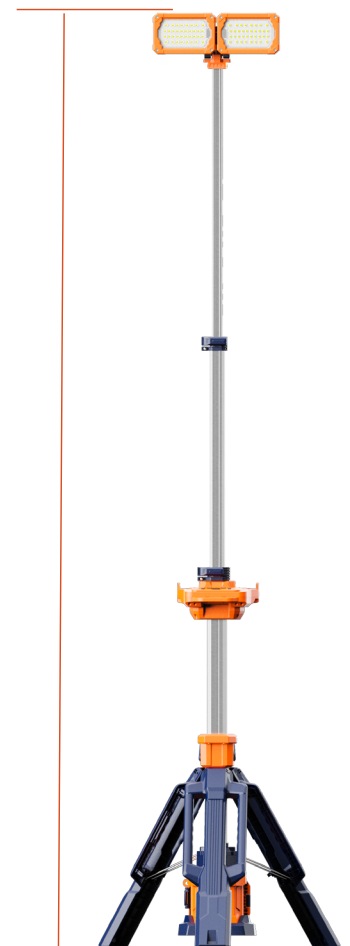
One Person Operation
Less than 6.5Kg exclude battery.



1.3m



2.5m



SPECIFICATIONS

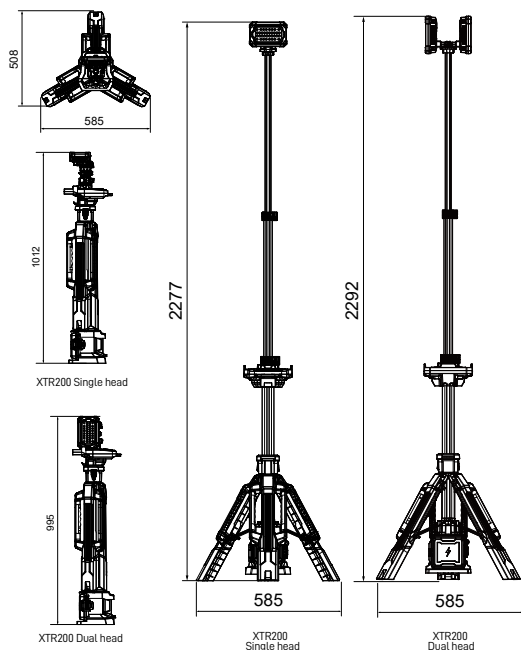
XTR200 Dual head

HEIGHT	1m~2.3m
Weight	6.3Kg (Fitting only)
Power Supply	D24 series battery pack / AC 100-277V
Lumens	0 - 11,000Lm
Run Times	>8 hours (Standard mode, D24-100)
IP Grade	IP65
Output(USB)	5V 2A (2 Dock)

XTR200 Single head

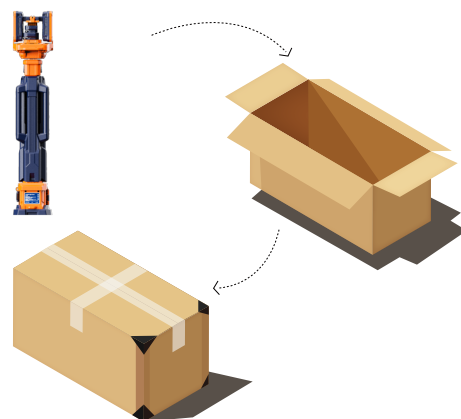
HEIGHT	1m~2.3m
Weight	5.9Kg (Fitting only)
Power Supply	D24 series battery pack
Lumens	0 - 3,000Lm
Run Times	>8 hours (Standard mode, D24-100)
IP Grade	IP65
Output(USB)	5V 2A (2 Dock)

Size (mm)



Package

Model	Size of Carton	Gross Weight of Carton	PCS/Carton
XTR200 Single head	1070x240x300mm	7.2KG±5%	1
XTR200 Dual head	1070x240x300mm	7.6KG±5%	1



LMXLED LTD



UNIT 8 PARK PLACE NEWDIGATE ROAD HAREFIELD MIDDX UB9 6EJ



01895 348 835



info@lmxled.co.uk